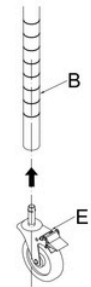
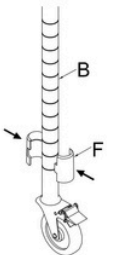
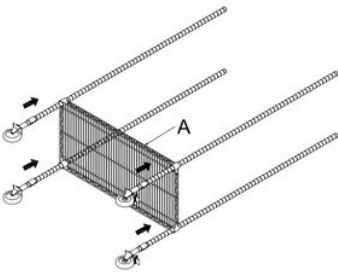
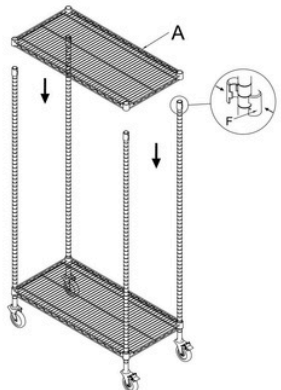
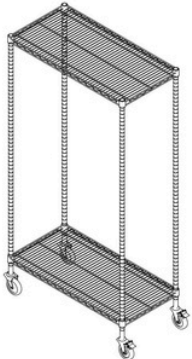
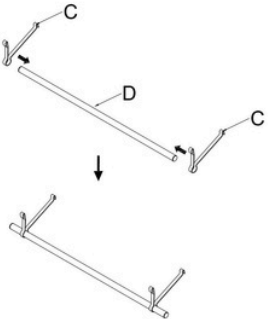
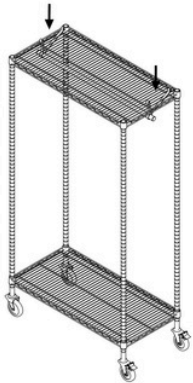
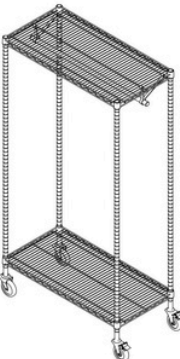




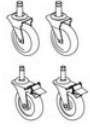



ECLIPSE® CHROME GARMENT RAIL

ASSEMBLY INSTRUCTIONS

<p>1</p>  <p>Press caster stems into bottoms of posts until fully engaged. Use a rubber mallet or hammer wrapped in a towel to tap casters firmly in place.</p>	<p>2</p> 	<p>3</p> 	<p>4</p> 		
<p>5</p> 	<p>6</p> 	<p>7</p> 	<p>8</p> 		
<p>A</p>  <p>2PCS</p>	<p>B</p>  <p>4PCS</p>	<p>C</p>  <p>2PCS</p>	<p>D</p>  <p>1PC</p>	<p>E</p>  <p>2 WITH BRAKES 2 W/O BRAKES</p>	<p>F</p>  <p>16PCS (EXTRA 4PCS)</p>

ECLIPSE® CHROME GARMENT RAIL

Dimensions D x L x H (mm)	Product Code
460 x 915 x 1790	ECGR1836
460 x 1220 x 1790	ECGR1848
460 x 1520 x 1790	ECGR1860
610 x 915 x 1790	ECGR2436
610 x 1220 x 1790	ECGR2448
610 x 1520 x 1790	ECGR2460

VARIATIONS

