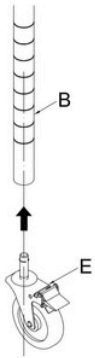


ECLIPSE® CHROME LINEN CART

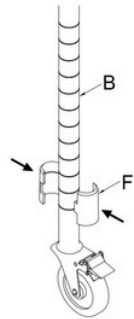
ASSEMBLY INSTRUCTIONS

1

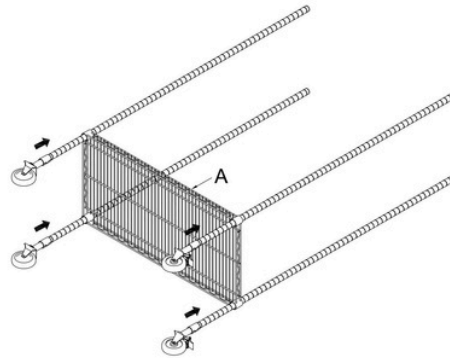


Press castor stems into bottoms of posts until fully engaged. Use a rubber mallet or hammer wrapped in a towel to tap casters firmly in place.

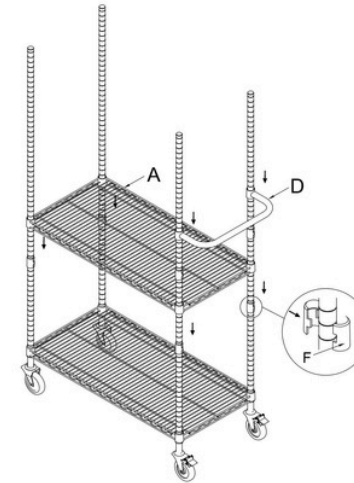
2



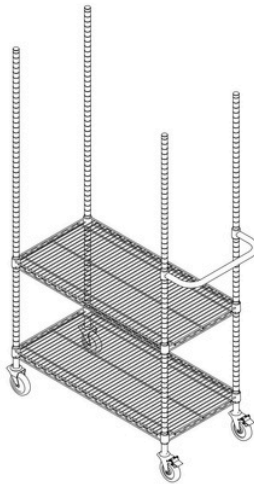
3



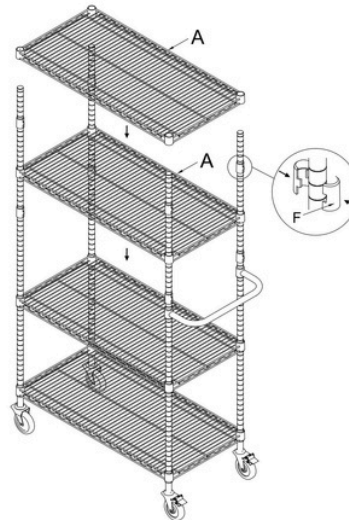
4



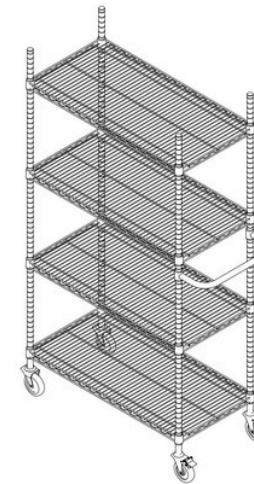
5



6

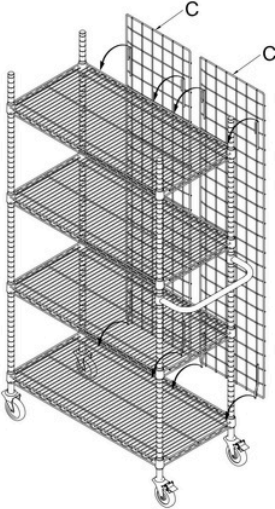
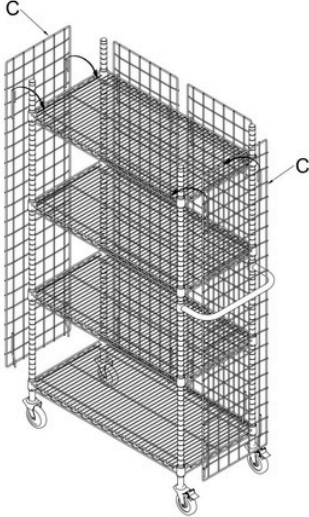
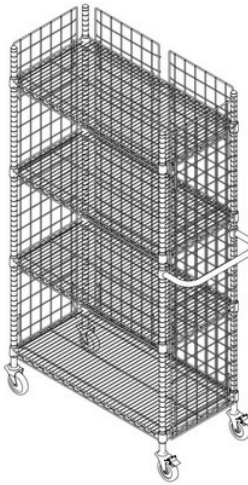
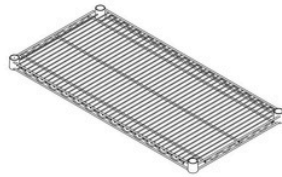
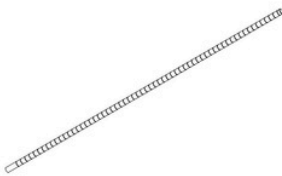


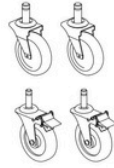



7



ECLIPSE® CHROME LINEN CART

ASSEMBLY INSTRUCTIONS

<p>8</p> 	<p>9</p> 	<p>10</p> 
<p>A</p>  <p>4PCS</p>	<p>B</p>  <p>4PCS</p>	<p>C</p>  <p>4PCS</p>
<p>D</p>  <p>1PC</p>	<p>E</p>  <p>2 WITH BRAKES 2 W/O BRAKES</p>	<p>F</p>  <p>36PCS (EXTRA 4PCS)</p>

ECLIPSE® CHROME LINEN CART

D x L x H (mm)	Product Code
460 x 915 x 1790	ECLD1836
460 x 1220 x 1790	ECLD1848
460 x 1520 x 1790	ECLD1860
610 x 915 x 1790	ECLD2436
610 x 1220 x 1790	ECLD2448
610 x 1520 x 1790	ECLD2460

VARIATIONS

