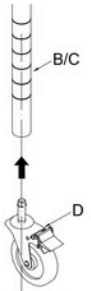
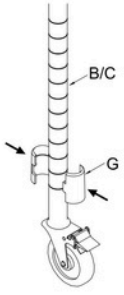
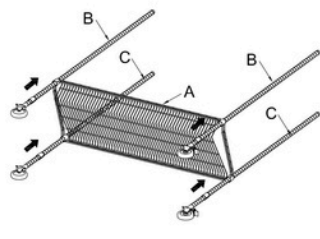
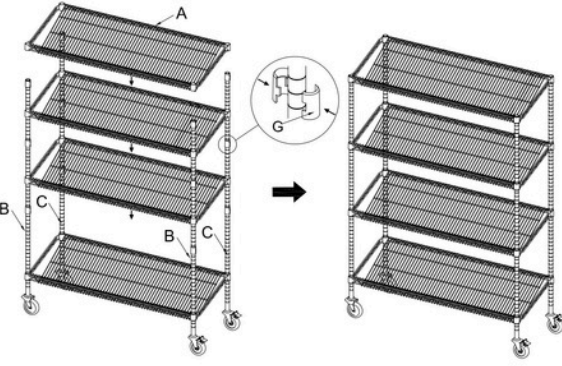
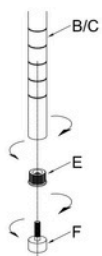
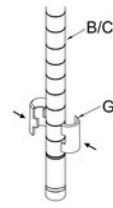
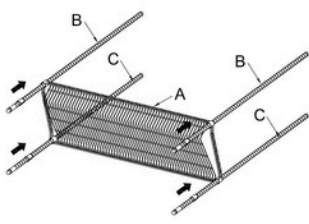
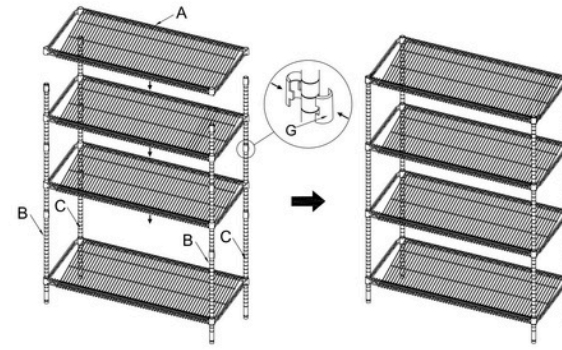



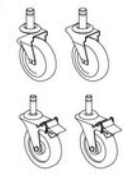





ECLIPSE® CHROME WIRE SLOPED

ASSEMBLY INSTRUCTIONS

<p>A-1 Option A with casters</p>  <p>Press caster stems into bottoms of posts until fully engaged. Use a rubber mallet or hammer wrapped in a towel to tap casters firmly in place.</p>	<p>A-2</p> 	<p>A-3</p> 	<p>A-4</p> 			
<p>B-1 Option B with feet levelers</p> 	<p>B-2</p> 	<p>B-3</p> 	<p>B-4</p> 			
<p>A</p>  <p>4PCS</p>	<p>B</p>  <p>2PCS</p>	<p>C</p>  <p>2PCS</p>	<p>D</p>  <p>2 WITH BRAKES 2 W/O BRAKES</p>	<p>E</p>  <p>4PCS</p>	<p>F</p>  <p>4PCS</p>	<p>G</p>  <p>32PCS (EXTRA 4PCS)</p>

ECLIPSE® CHROME WIRE SLOPED

Description	D x L x H (mm)	Product Code
Sloped shelf 27 degree	460 x 915	SLT1836/27
Sloped shelf 27 degree	460 x 1220	SLT1848/27
Sloped shelf 45 degree	460 x 915	SLT1836/45
Sloped shelf 45 degree	460 x 1220	SLT1848/45
Sloped basket 27 degree	460 x 610 x 90	SLB1824/27

VARIATIONS

