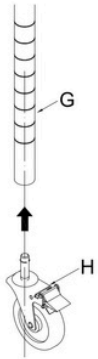


ECLIPSE® TYPE 2 PICKING TROLLEY

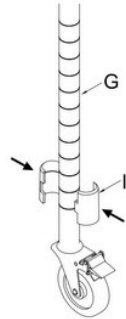
ASSEMBLY INSTRUCTIONS

1

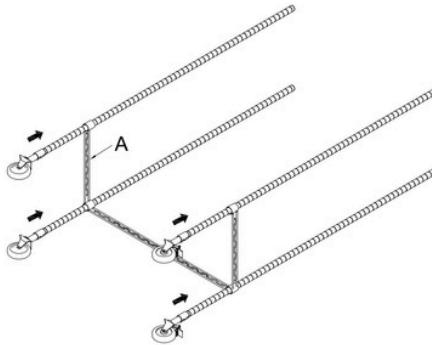


Press caster stems into bottoms of posts until fully engaged. Use a rubber mallet or hammer wrapped in a towel to tap casters firmly in place.

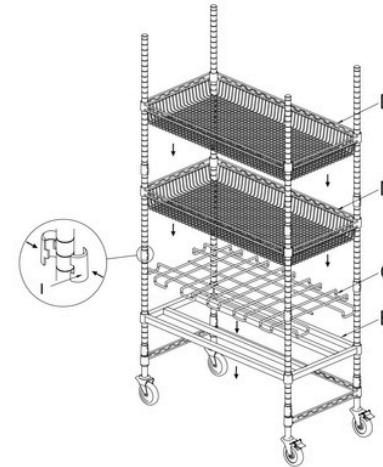
2



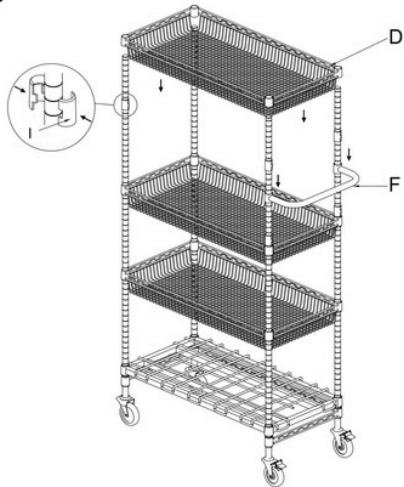
3



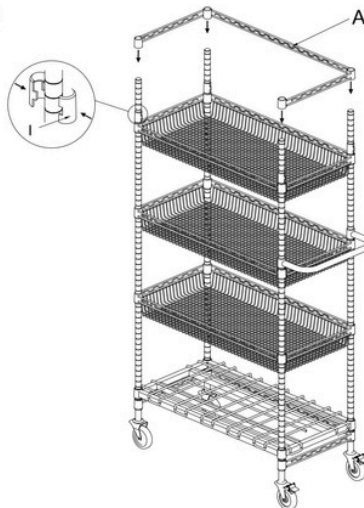
4



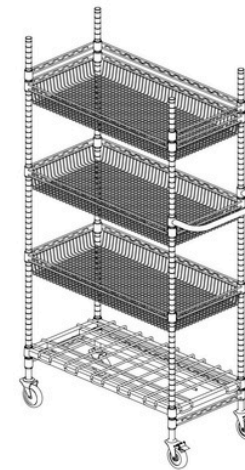
5



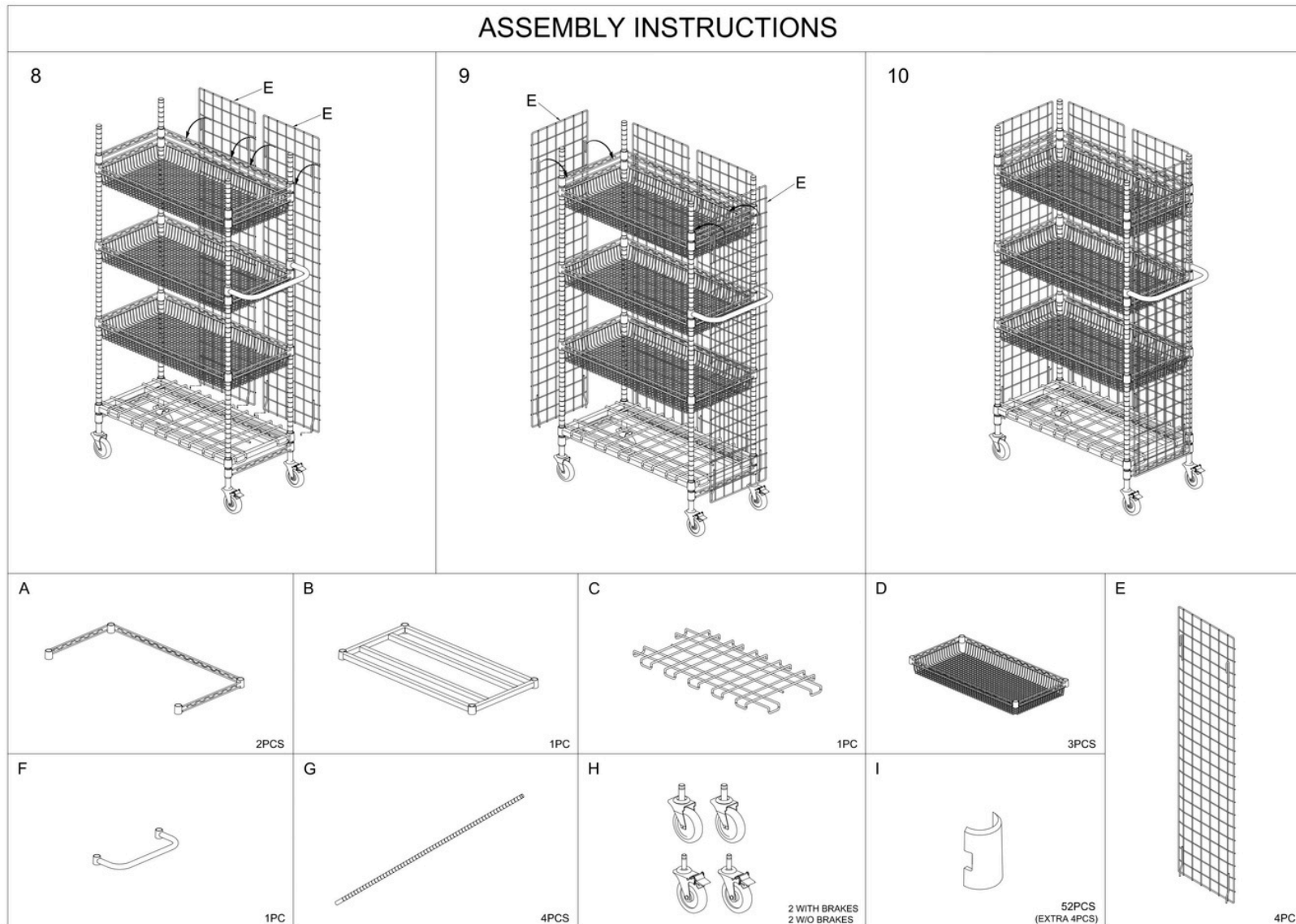
6



7



ECLIPSE® TYPE 2 PICKING TROLLEY



Optional back grid
available

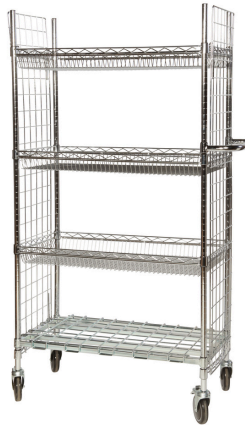
ECLIPSE® TYPE 2 PICKING TROLLEY

Description	D x L x H (mm)	Product Code
5 tier with standard shelves and dividers	460 x 1220 x 1790	PT1848T1
4 tier with basket shelves	460 x 915 x 1790	PT1836T2
4 tier with top sloping shelf	460 x 1220 x 1790	PT1848T3
4 tier with 2 top sloping shelves	460 x 915 x 1790	PT1836T4

VARIATIONS



PT1848T1



PT1836T2



PT1848T3



PT1836T4