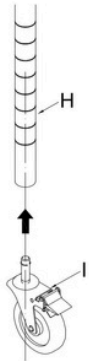


# ECLIPSE® TYPE 4 PICKING TROLLEY

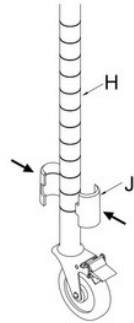
## ASSEMBLY INSTRUCTIONS

1

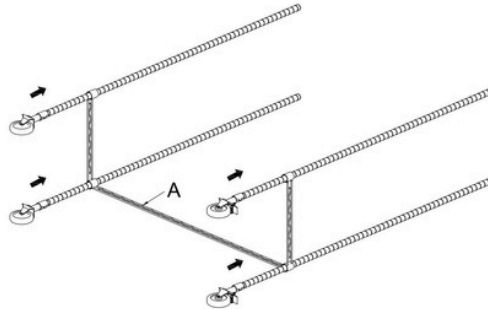


Press caster stems into bottoms of posts until fully engaged. Use a rubber mallet or hammer wrapped in a towel to tap casters firmly in place.

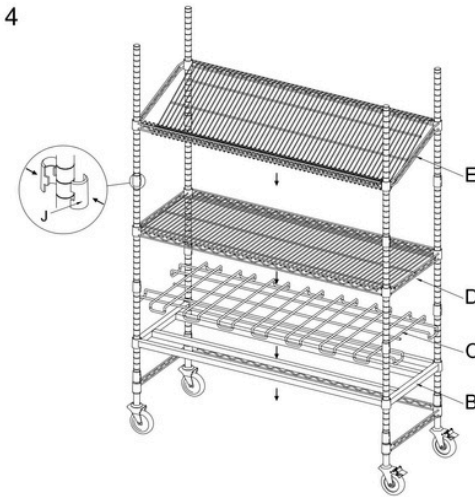
2



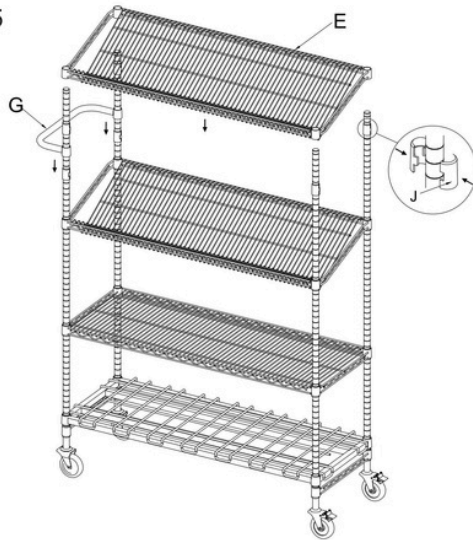
3



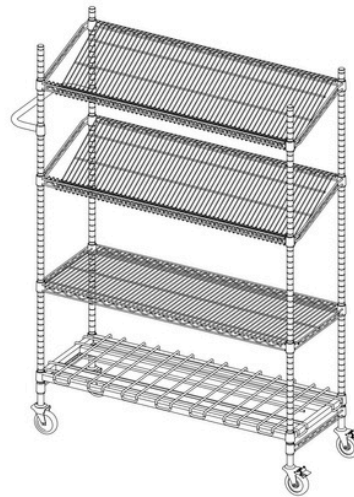
4



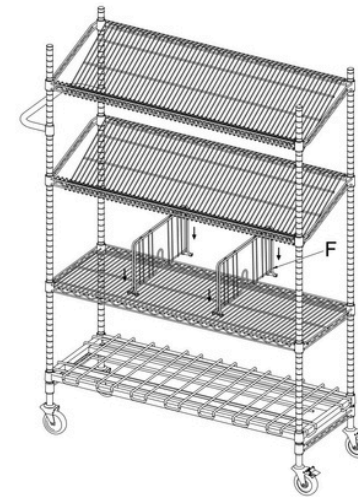
5



6

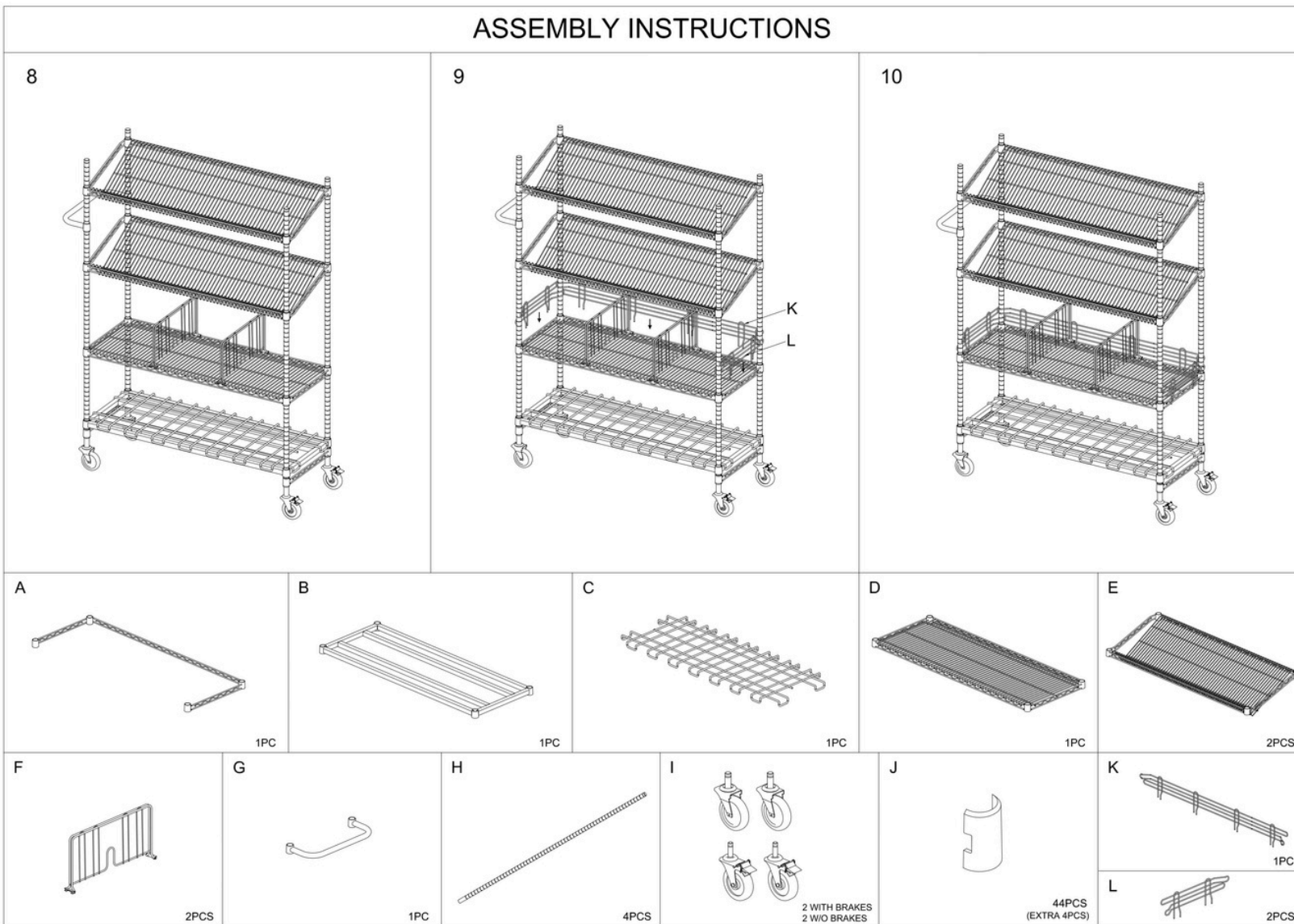


7



# ECLIPSE® TYPE 4 PICKING TROLLEY

## ASSEMBLY INSTRUCTIONS



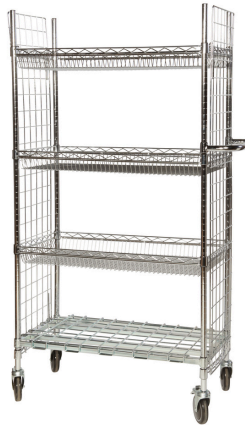
# ECLIPSE® TYPE 4 PICKING TROLLEY

Description	D x L x H (mm)	Product Code
5 tier with standard shelves and dividers	460 x 1220 x 1790	PT1848T1
4 tier with basket shelves	460 x 915 x 1790	PT1836T2
4 tier with top sloping shelf	460 x 1220 x 1790	PT1848T3
4 tier with 2 top sloping shelves	460 x 915 x 1790	PT1836T4

## VARIATIONS



**PT1848T1**



**PT1836T2**



**PT1848T3**



**PT1836T4**