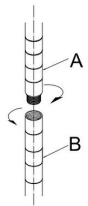


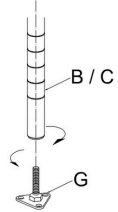
ECLIPSE® WORKBENCH

ASSEMBLY INSTRUCTIONS

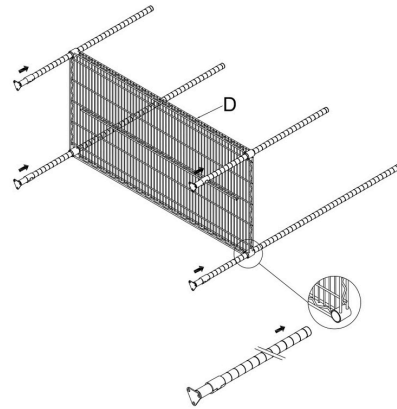
1



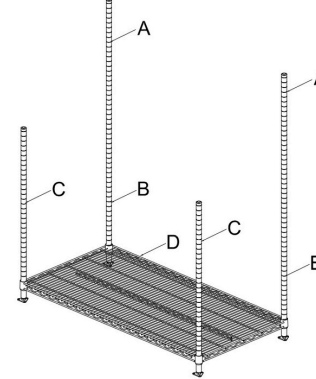
2



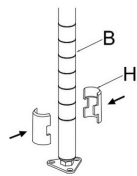
4



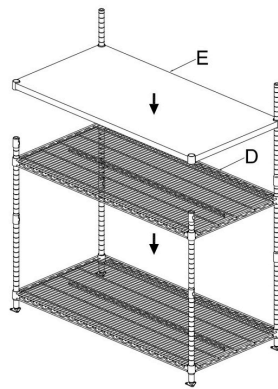
5



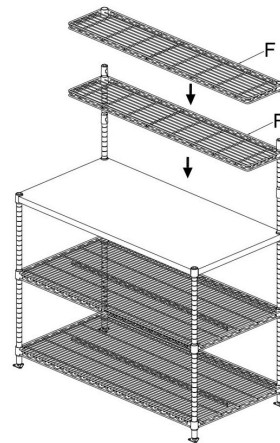
3



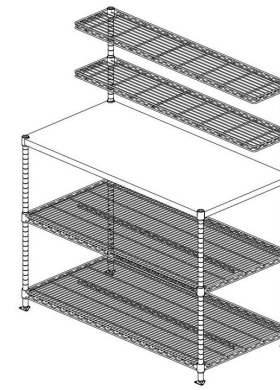
6



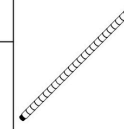
7



8

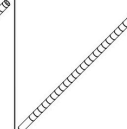


A



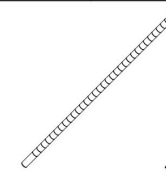
2PCS

B



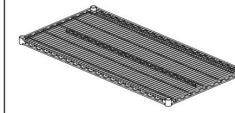
2PCS

C



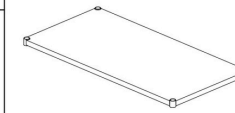
2PCS

D



2PCS

E



1PC

F



2PCS

G



4PCS

H



32PCS
(EXTRA 4PCS)

ECLIPSE® WORKBENCH

D x L x H (mm)	Produce Code
610 x 1220 x 1400 Static	ECSWB244854
610 x 1220 x 1525 Mobile	MECSWB244854

VARIATIONS

